

## My Café® Automatic Commercial Grade Pod Brewer

### Features



#### Model MCA

Dimensions: 13.6" H x 8" W x 10.5" D  
(34.5cm H x 20.3cm W x 26.7cm D)

#### My Café Automatic Pod Brewer

- Patent pending pod drawer works with most pods from 45 to 61 mm. A commercial-quality system capable of brewing both coffee and tea.
- Fast brew coffee in about 30 seconds. Stainless steel heating tank uses a thermostat to hold water at the perfect ready-to-brew temperature.
- Patent pending sprayhead allows extraction of all coffee flavoring materials and aromatics.
- Tea button features pulse brew technology to provide steeping action.
- Brew four to 12 ounces of coffee or tea to preferred strength by adjusting the portion/volume control.
- Easy to use and maintain with a removable water reservoir and easy-slide lid to pour in water.
- A drawer-style pod holder keeps hands clean and dry at all times.
- Reservoir holds 46 oz. of water.
- Pod holder, reservoir/lid and drip tray assembly are dishwasher safe.
- Includes two pod holders to prevent flavor transfer.
- Automatic model is connected to waterline, eliminating the need to manually refill reservoir.
- Energy-saver mode reduces tank temperature during idle periods.

For current specification sheets and other information, go to [www.bunn.com](http://www.bunn.com) or call your BUNN sales representative.

### Simple steps to perfect coffee, tea, and other hot beverages.

#### Step 1

After filling the reservoir, push the button at the top of the brewer and open the pod holder drawer.



#### Step 2

Insert pod in pod holder and push drawer to lock in place.



#### Step 3

Press coffee button to infuse pod with pressurized water for optimum extraction.  
OR

Press tea button for a pulse brew to create a steeping action.



#### Step 4

In about 30 seconds enjoy your perfect beverage!



- Eliminate waste by brewing one cup at a time on demand.
- Dishwasher safe pod holder. Load and unload with one hand.
- No loose grounds to measure and no pot to clean.
- Hot water dispense for hot beverages like cappuccino, cocoa and soups.

#### Model

MCA

#### Agency Listing



## Dimensions & Specifications

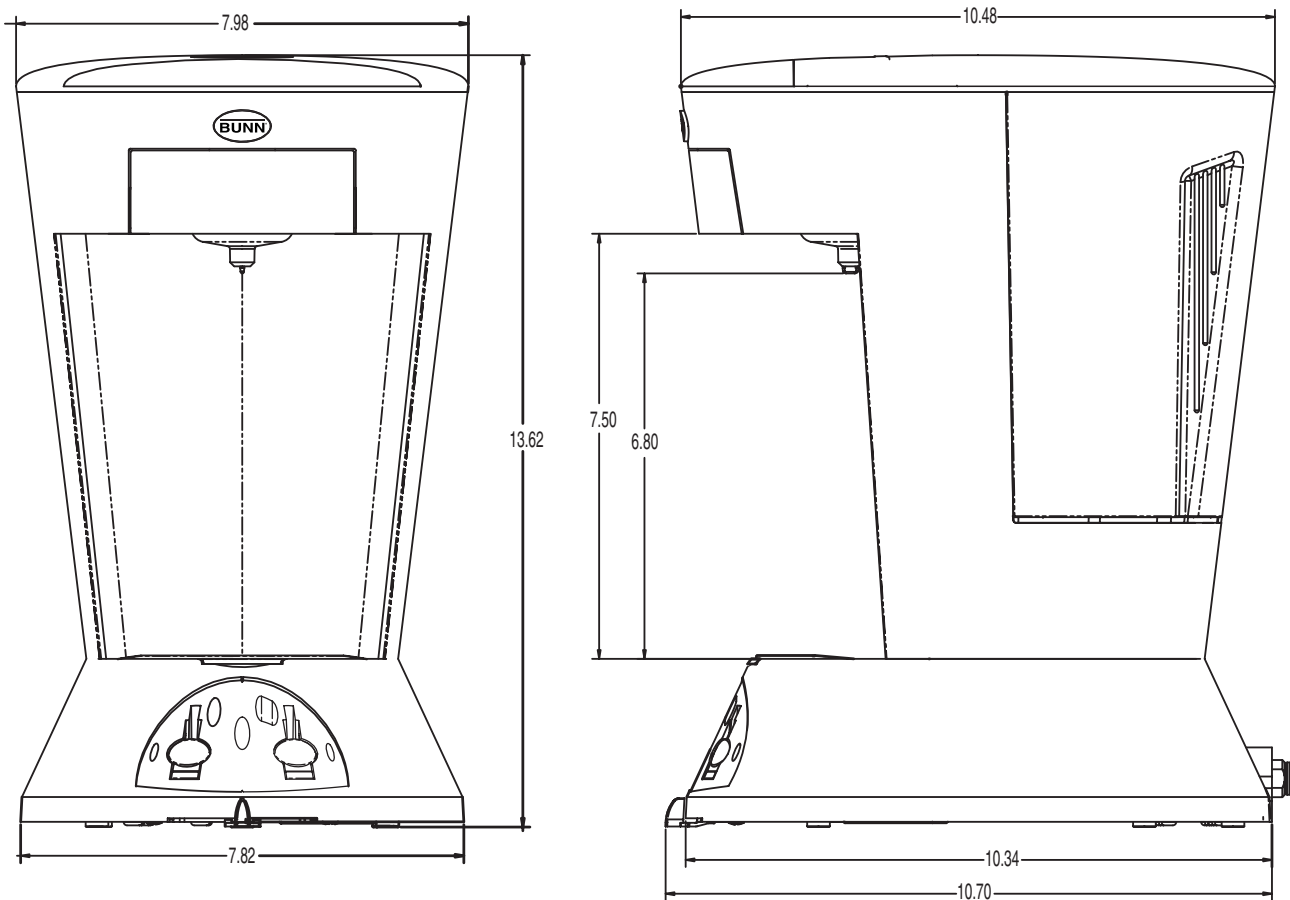
Model	Product #	Volts	Amps	Total Watts	Brewing Capacity	Cu. Ft.	Shipping Weight	Cord Attached
MCA	35400.0009	120	12	1440	60, 8 oz. cups/hr.	1.36	11.35 lbs.	Yes*
MCA†	35400.0010	120	12	1440	60, 8 oz. cups/hr.	1.36	11.35 lbs.	Yes*

†High altitude model \*Power cord (NEMA 5-15P) 15 Amp-120V machine only.

**Brewing capacity:** based upon incoming water temp of 60°F (140°F rise).

**Electrical:** Model requires 2-wires plus ground service rated 120V, single phase, 60Hz.

**Plumbing:** Machine supplied with strainer that has a 1/4" male flare fitting.



Bunn-O-Matic Corporation - 1400 Stevenson Drive Springfield, Illinois 62703 • 800-637-8606 • 217-529-6601 • Fax 217-529-6644 • www.bunn.com

BUNN® practices continuous product research and improvement. We reserve the right to change specifications and product design without notice. Such revisions do not entitle the buyer to corresponding changes, improvements, additions or replacements for previously purchased equipment.

All dimensions shown in inches.

3/09 © Bunn-O-Matic Corporation